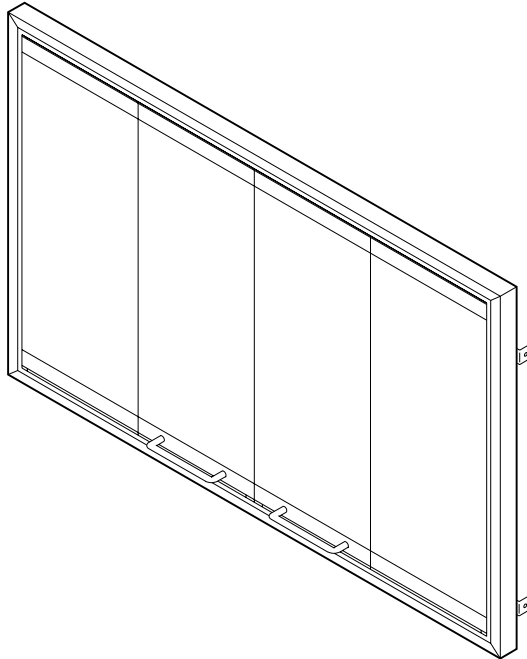


INSTALLATION INSTRUCTIONS FOR LENNOX'S SYMPHONY SERIES BI-FOLD GLASS DOORS MODELS 38LSBF, 38LSBF-B, 43LSBF, 43LSBF-B, 48LSBF, 48LSBF-B



GENERAL INFORMATION

This door assembly consists of a right and left bi-fold glass panel assembly factory mounted within an outer frame. Door handles are attached in place. There are no additional parts that are required to install the Symphony Series door, all required hardware is provided. Fireplaces listed on the front page of this document, have been designed to accept the Symphony Series doors with minimum effort.

TOOLS REQUIRED

Medium Phillips Screwdriver
Hammer
Electric Drill
5/64" Diameter Drill Bit

Note: In most cases the door frame will not install completely flush with the appliance front face. The frame will usually protrude from the opening approximately an 1/8 of an inch.

Model LBR and LBC Fireplaces

Note: The Center Wedge Clip located inside the track in the center of the door frame indicates the bottom of the frame. It is important that the frame be installed with the correct side up to insure smooth operation of the doors.

Step 1. Position the door support bracket along the lower front face of the appliance ash lip, oriented as shown (see Figure 1) (DO NOT affix the door support bracket to the outer front face of the appliance). Using the two (2) self tapping screws provided, secure the door support bracket to the front of the ash lip.

Step 2. Position the frame in the fireplace opening on top of the door support bracket, centering left and right. Mark the fireplace at each hole in the side panels.

Note: The frame is provided with two sets of holes allowing for near "Flush Face" installation and "Protruding" installations that may be particularly useful in certain finish applications. In most cases the door frame will not install completely flush with the appliance front face. The frame will usually protrude from the opening approximately an 1/8 of an inch.

Lennox's Estate 48 fireplace may be fitted with either 48LSBF or 48LSBF-B doors.

Use Lennox's 38LSBF and 43LSBF with the LBR and LBC 3824 appliances and the LBR and LBC 4324 appliances respectively.

Lennox's Symphony series Bi-Fold doors come standard with a decorator satin black finish and may be purchased in a polished brass finish designated by the -B suffix to the model/size number.

Do not alter or modify these door assemblies or a fireplace malfunction or a fire hazard may result.

These glass door assemblies have been tested and listed by Warnock Hersey Inc.

PLEASE RETAIN THIS MANUAL FOR FUTURE REFERENCE.

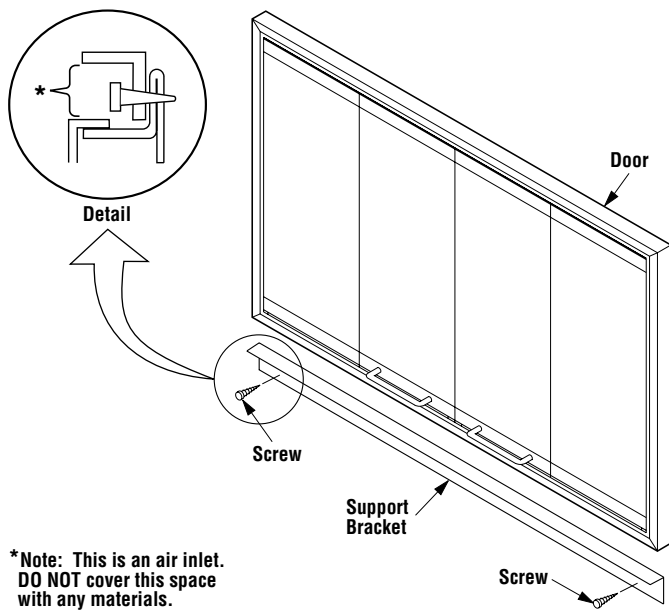


Figure 1

Step 3. Remove the frame from the fireplace and drill a pilot hole 5/64" diameter at each of the four marks. Re-position the frame into the fireplace centering left and right. Insert the screws through the side panel holes and screw them into the pilot holes just drilled.

Model Estate 48 Fireplaces

Note: The Center Wedge Clip located inside the track in the center of the door frame indicates the bottom of the frame. It is important that the frame be installed with the correct side up to insure smooth operation of the doors.

Step 1. Lay the frame face down on a clean, soft surface to avoid scratching the brass. Note the two Phillips Screws mounted to Tinnerman nuts on each of the side panels, loosen these screws to allow adjustment of the position of these Tinnerman nuts. Position the nuts to align with the round holes on the Estate 48 attachment brackets (see Figure 2). **Do Not attach brackets to the door at this time.**

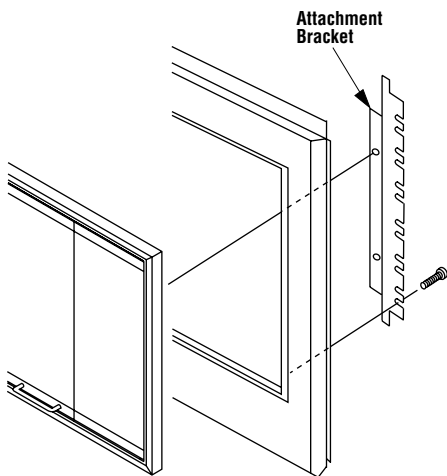


Figure 2

Step 2. Locate the Phillips heads of the screws just around the back of the firebox opening at both the right and left sides. The slots of the Estate 48 attachment brackets will engage these screws and be secured in place by their heads. Back these screws out about an 1/8 of an inch.

Step 3. Position the Estate 48 attachment bracket within the fireplace opening with their black faces forward and their slots engaged around the screws backed out in the previous step. Snug up two (2) screws on each side, DO NOT TIGHTEN. The attachment brackets must be allowed to move in the following step.

Step 4. Remove the Phillips screw from the Tinnerman nuts in the door frame assembly. Position the frame within the opening and align the Tinnerman nuts with the four round holes of the attachment brackets, two (2) on each side. Secure the frame to the brackets with the four (4) screws, DO NOT TIGHTEN.

Step 5. Center the door frame within the opening, left to right and push door frame up to the top of the opening as far as it will go. Carefully tighten all screws, making sure they are not overtightened. Do Not obstruct the gaps to the left and right of the frame. These spaces are designed for inlet air to enter the fire box.

Installing the Doors

Install all doors as follows:

Fold panes of right door back to back with handle down as shown in Figure 3. Tilt door so that it fits inside frame as shown. Next, insert Bottom Pin into Bottom Retainer Slot. Then tilt top of door toward vertical position making sure that all Pins and Door Guides are inside Track. Finally, slide Top Pin along Top Retainer Clip until Top Pin snaps into Top Retainer Slot. Repeat procedure for left door.

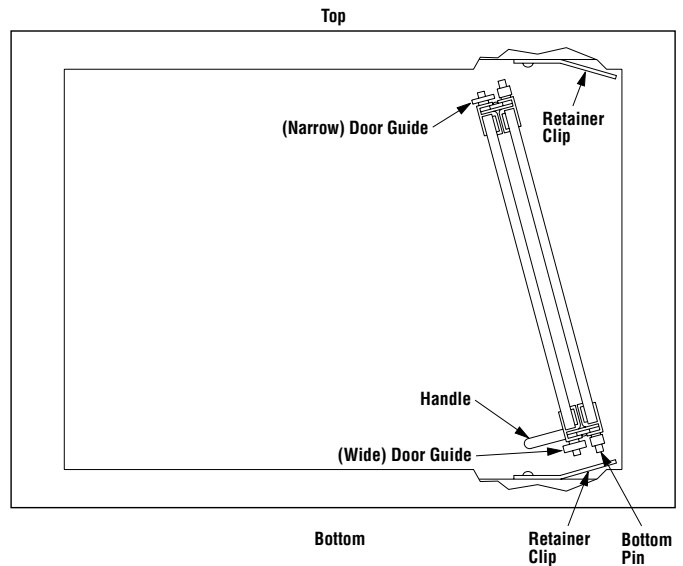


Figure 3

ADJUSTMENT FOR DOOR ALIGNMENT

The doors are properly adjusted when the top door trim is in a straight, level line and the gap between the doors and the frame is even at the top and bottom. The doors can be adjusted by changing the location of the door inside the frame. The door may need adjustment for several reasons. One would be that the doors do not fully close because they hit in the center of frame. Another would be that there is a noticeable gap in the center between the closed doors.

If doors appear to close in correct position but do not latch (both doors do not stay closed), then there is a misalignment between the doors and the Center Wedge Clip. The Center Wedge Clip is located in the center of the bottom Track. In order to stay closed, the left and right doors must meet in the Middle of the Center Wedge Clip.

To adjust doors, first loosen, but DO NOT remove the Phillips Screw that holds the Retainer Clip to the frame. Move door to desired position then tighten screw. Repeat procedure for other Retainer Clips as needed. Operate doors to check alignment and repeat procedure if necessary.

GENERAL OPERATING PRECAUTIONS AND INSTRUCTIONS

CAUTION: THESE GLASS DOORS ARE LISTED ONLY FOR USE WITH THE LENNOX FIREPLACE OR APPLIANCE MODELS SHOWN. USE ON ANY OTHER FIREPLACE OR APPLIANCE MAY CONSTITUTE A POTENTIAL FIRE HAZARD.

- Avoid building extremely large fires as the tempered glass could become damaged.
- Use fireplace tools carefully to avoid striking the glass.
- Keep wire mesh screens closed during fireplace use.
- The fireplace flue damper must remain open until fire is completely out.
- Assure wood and embers are well within the confines of the grate area and well away from the glass doors.
- Keep wire mesh screens closed during fireplace use.
- Keep glass doors closed at night when retiring to minimize the loss of heated room air up the vent.

CAUTION: THE FRONT-OPEN FIREPLACE OR APPLIANCE SHOULD ONLY BE OPERATED WITH THE GLASS DOORS FULLY OPEN OR FULLY CLOSED (SEE FIGURE 4).

CAUTION: GLASS AND METAL FRAMES GET HOT — ALWAYS USE HANDLES TO OPEN AND CLOSE THE DOORS.

To remove the doors, open door all the way until glass panes are back to back. While pushing down on door, push up on Top Retainer Clip with finger to free Top Pin and rotate top of door toward center of frame. Carefully remove door.

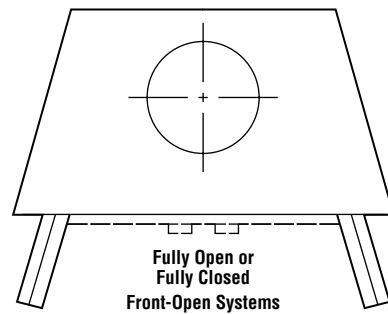


Figure 4

CLEANING

NEVER CLEAN THE GLASS WHEN THE DOORS ARE HOT. DO NOT USE AMMONIA OR ANY AMMONIA BASED GLASS OR HOUSEHOLD CLEANER TO CLEAN THE GLASS OR THE DOOR FRAME. AN AMMONIA BASED CLEANER WILL DAMAGE THE FINISH.

Remove dirt and grime from the doors using a clean dampened towel followed by wiping with a dry towel. To remove stubborn stains from the doors, use a mild soap solution and towel to gently scrub away stain. Take care not to scratch the glass surface. Do not use abrasive cleaners.

IMPORTANT

These glass doors utilize tempered glass which is designed for use with high temperatures but can unexpectedly shatter. DO NOT SIT CLOSE TO THE GLASS.

Tempered glass will break into small particles if it should shatter unexpectedly. If the glass breaks, particles of extremely hot glass could be discharged into the surrounding environment, thereby creating a risk of personal injury or fire. Observation of the above operating precautions and instructions will reduce the risk of personal injury or fire.

Extreme temperature changes can cause breakage — do not build a hot fire and close the doors if the doors are cold.

If the tempered glass pane becomes scratched or chipped, it creates a weakness in the glass which can cause the glass to break when heated. Replace the pane of glass by contacting your nearest distributor. For the name of your nearest distributor contact:

LENNOX HEARTH PRODUCTS
1110 West Taft Avenue
Orange, CA 92865

WARNING: DO NOT BURN TRASH, CONSTRUCTION SCRAPS, RAILROAD TIES, OR OTHER HIGHLY-FLAMMABLE MATERIAL IN THE FIREPLACE. INTENSE HEAT CAN CAUSE THE GLASS TO LOSE STRENGTH AND RESILIENCE WHICH WILL RESULT IN GLASS BREAKAGE.

LENNOX reserves the right to make changes at any time, without notice, in design, materials, specifications, prices and also to discontinue colors, styles and products. Consult your local distributor for fireplace code information.

Printed in U.S.A. © 2001 by LENNOX
P/N 750,108M REV. N/C 07/2001

LENNOX[®]
HEARTH PRODUCTS

1110 West Taft Avenue
Orange, CA 92865